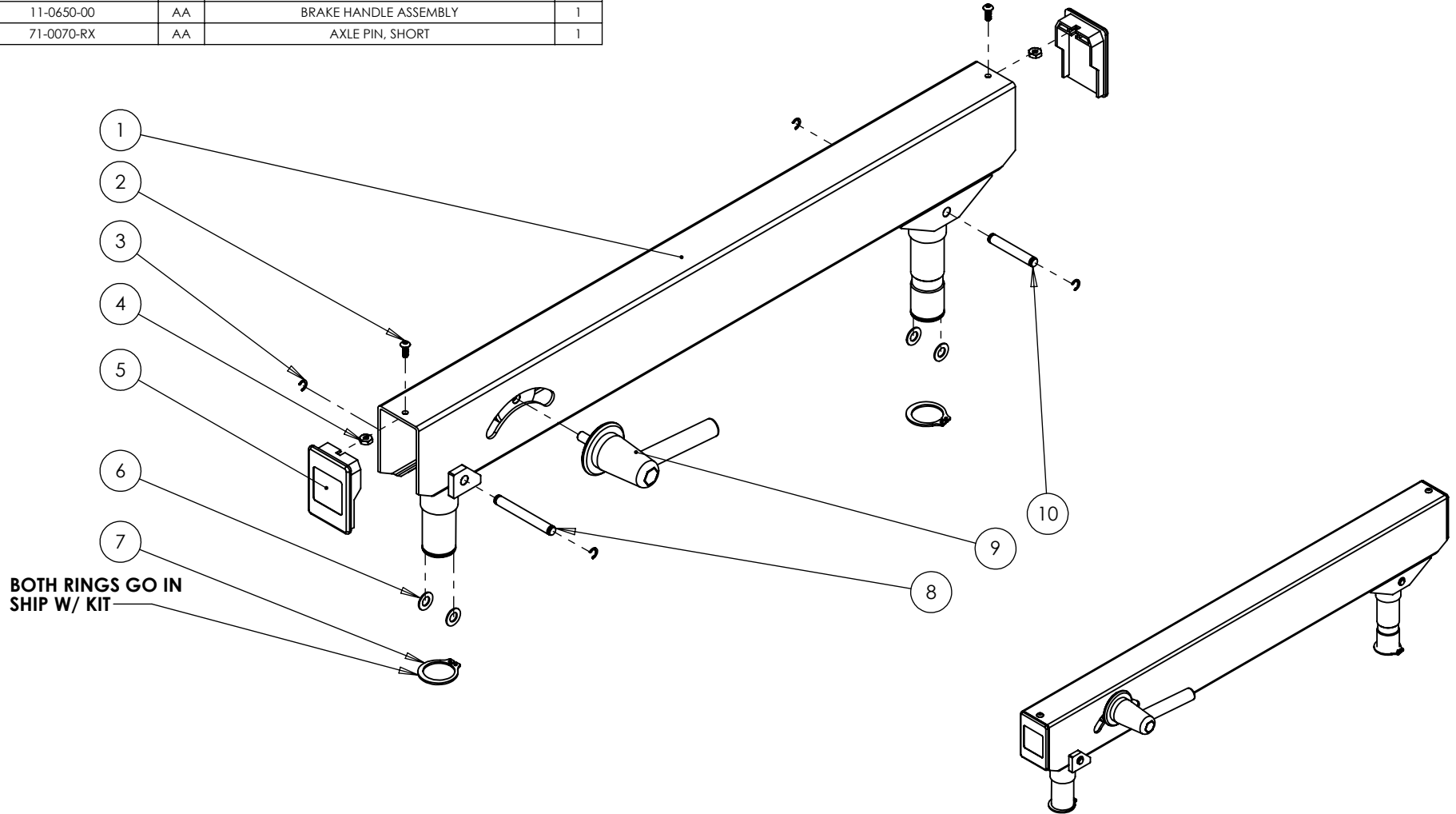


NO	PART#	REV	NAME	QTY.
1	71-1801-BLKX	AA	FLEX HOUSING, 18in, BLACK	1
2	002-041-00		BHSC SCREW, 6-32 x 3/8 lg, BLACK OXIDE	2
3	010-011-00		EXTERNAL RETAINING RING, .250" OD SHAFT	4
4	006-004-00		NUT, HEX 6-32 x 5/16 x 7/64	2
5	71-0972-99	AA	END CAP	2
6	004-050-00		WASHER, FIBER .265 ID x .5 OD x .032	4
7	010-012-00		EXTERNAL RETAINING RING, 7/8" SHAFT	2
8	71-0071-RX	AA	AXLE PIN, LONG	1
9	11-0650-00	AA	BRAKE HANDLE ASSEMBLY	1
10	71-0070-RX	AA	AXLE PIN, SHORT	1

REVISIONS			
REV.	DESCRIPTION	DATE	APPROVED
AA	Revision Table Added / Revision Standardization	2/17/2025	DMS



BOTH RINGS GO IN SHIP W/ KIT

DECTRON LLC www.dectronusa.com		TOLERANCE STANDARDS	70-1833-00	REV AA
<small>PROPRIETARY & CONFIDENTIAL THE INFORMATION CONTAINED IN THIS DRAWING IS THE SOLE PROPERTY OF DECTRON LLC. ANY REPRODUCTION IN PART OR AS A WHOLE WITHOUT THE WRITTEN PERMISSION OF DECTRON LLC IS PROHIBITED.</small>		.x ±.025 .xx ±.010 .xxx ±.005	18in FLEX SECTION, 6-33 LB	
SIZE A	DO NOT SCALE DRAWING	ANGULAR ±2°	FINISH IMATL	PART VARIES
DRAWN CHASE	01/09/2017		FINISH CARDINAL BLACK TEXTURE POWDER COAT T241-BK59	

5

4

3

2

1