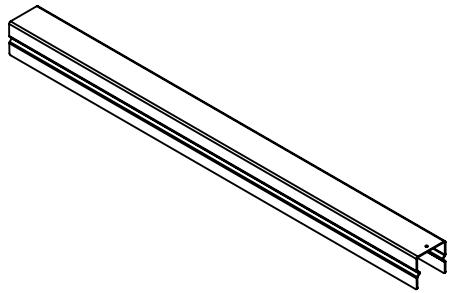
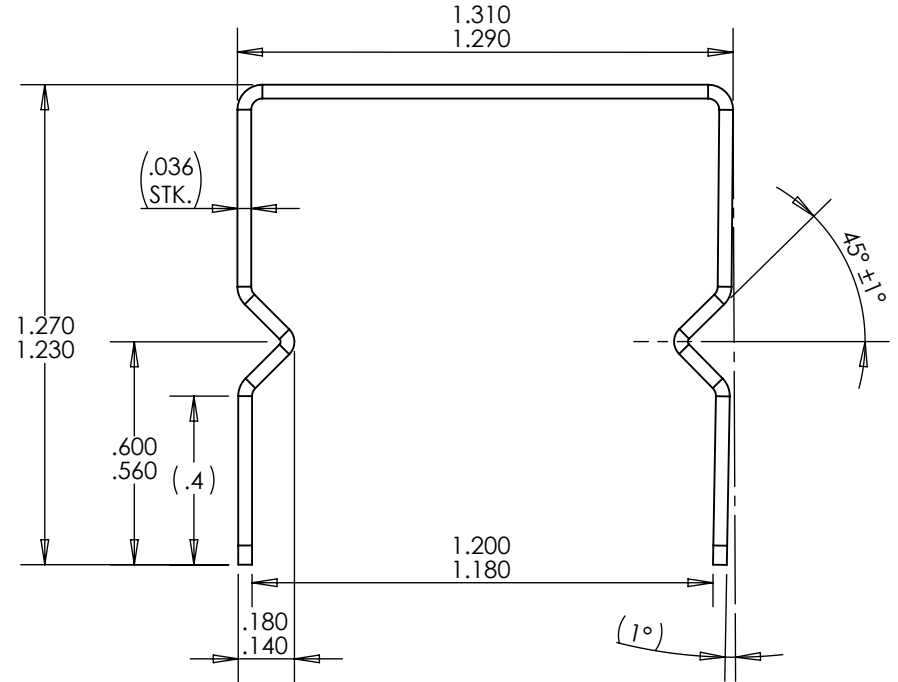
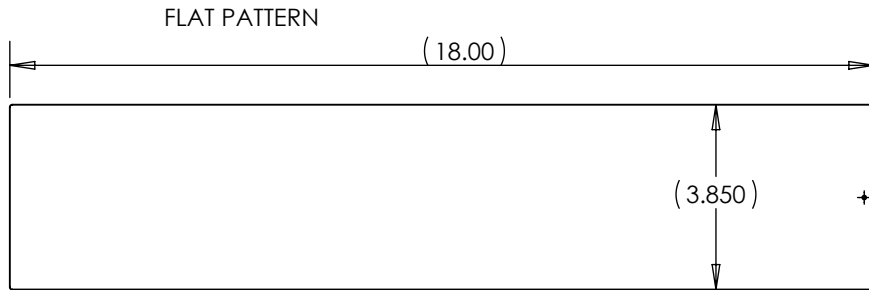
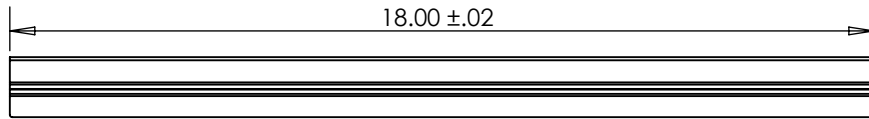
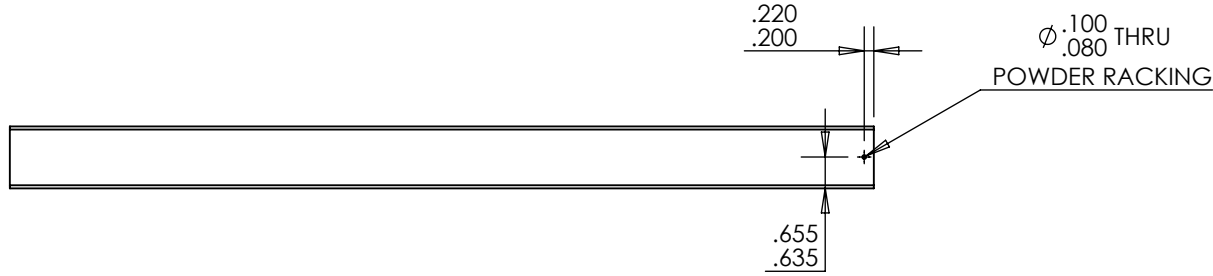


REVISIONS			
REV.	DESCRIPTION	DATE	APPROVED
E	redrawn to sts specs	12/17/02	EGO
1	changed paint to powder coat	05/19/15	STRO



- NOTES:**
 1. REFERENCE CAD FOR MISSING DIMS
 2. PART TO BE FREE OF BURRS & SHARP EDGES

DECTRON LLC 9750 SW WILSONVILLE ROAD SUITE 300 WILSONVILLE, OR 97070	
PROPRIETARY & CONFIDENTIAL THE INFORMATION CONTAINED IN THIS DRAWING IS THE SOLE PROPERTY OF DECTRON AND STROHMAIER CORPORATION. ANY REPRODUCTION IN PART OR AS A WHOLE WITHOUT THE WRITTEN PERMISSION OF DECTRON OR STROHMAIER CORPORATION IS PROHIBITED.	TOLERANCES DECIMAL: .X ±.025 .XX ±.010 .XXX ±.005
SIZE A	DO NOT SCALE DRAWING
DRAWN CHASE	10/19/17
CHECKED STRO	10/20/17

PART	70-0274-00	REV	1
TITLE	CABLE COVER, 24in RIGID SECTION, BLACK		
MATERIAL	SHEET, .036 (20 GA) STEEL, CR	FINISH	S/W PHANTOM BLACK #HBT4-C002

5

4

3

2

1