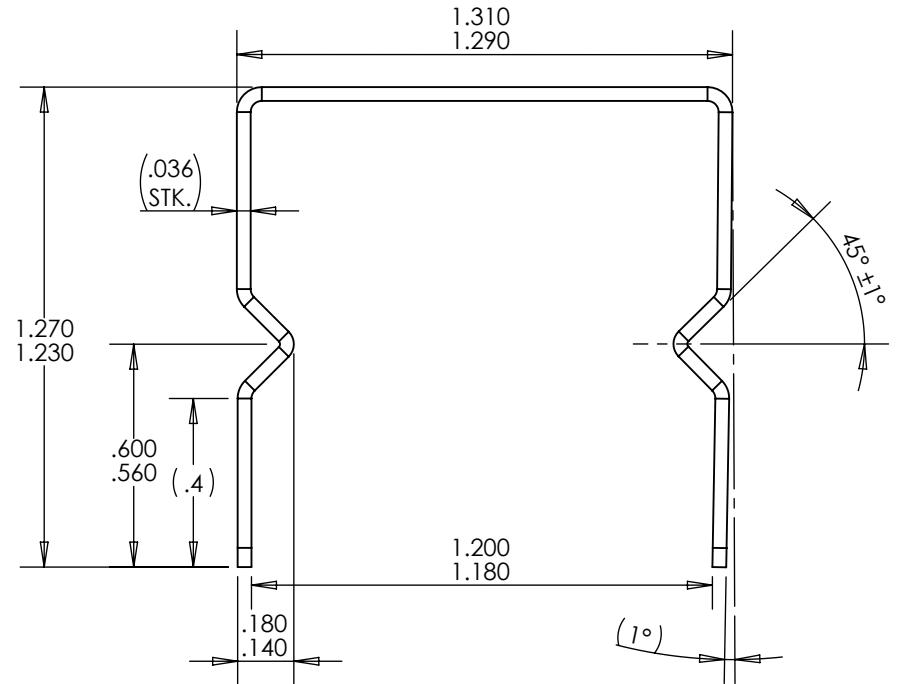
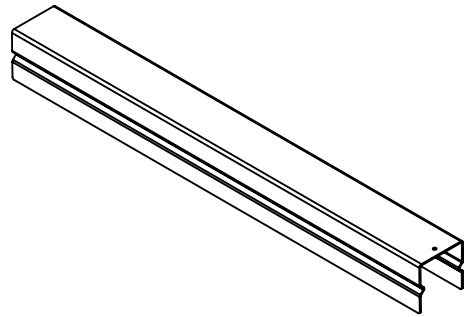
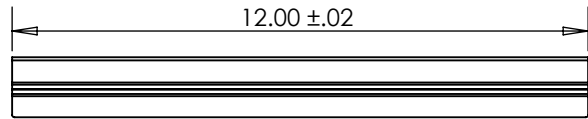
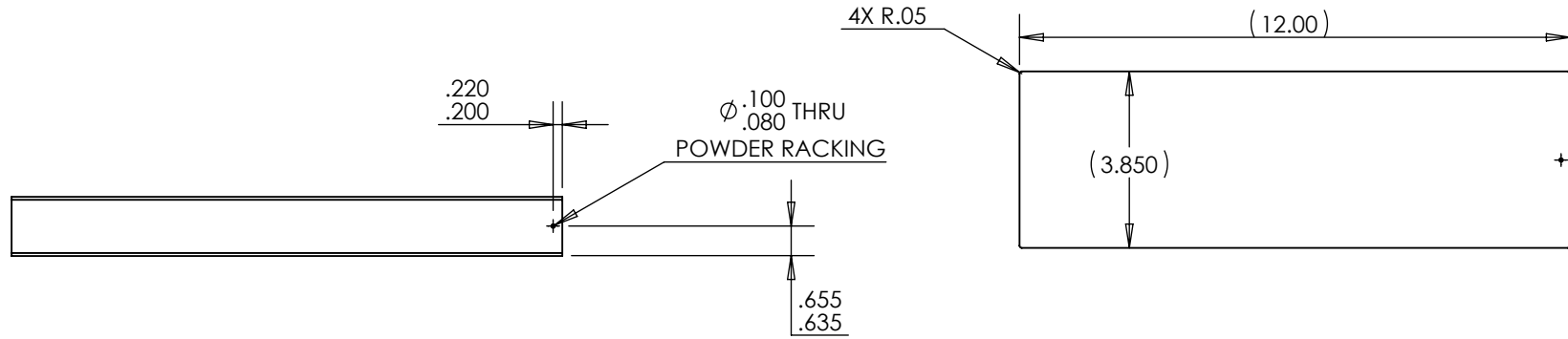


REVISIONS			
REV.	DESCRIPTION	DATE	APPROVED
2	WIDENED FOR WIDER HOUSING	10/16/17	STRO



- NOTES:**
1. REFERENCE CAD FOR MISSING DIMS
 2. PART TO BE FREE OF BURRS & SHARP EDGES

DECTRON USA | Strohmaier Corporation
 9750 SW WILSONVILLE ROAD SUITE 300 WILSONVILLE, OR 97070

PROPRIETARY & CONFIDENTIAL
 THE INFORMATION CONTAINED IN THIS
 DRAWING IS THE SOLE PROPERTY OF
 DECTRON AND STROHMAIER
 CORPORATION. ANY REPRODUCTION IN
 PART OR AS A WHOLE WITHOUT THE
 WRITTEN PERMISSION OF DECTRON OR
 STROHMAIER CORPORATION IS PROHIBITED.

TOLERANCES
 DECIMAL:
 .X ± .025
 .XX ± .010
 .XXX ± .005

SIZE **A** DO NOT SCALE DRAWING
 DRAWN CHASE 10/19/17
 CHECKED STRO 10/20/17

70-0273-00		REV	2
CABLE COVER, 18in RIGID SECTION, BLACK			
MATERIAL	SHEET, .036 (20 GA) STEEL, CR	FINISH	S/W PHANTOM BLACK #HBT4-C002