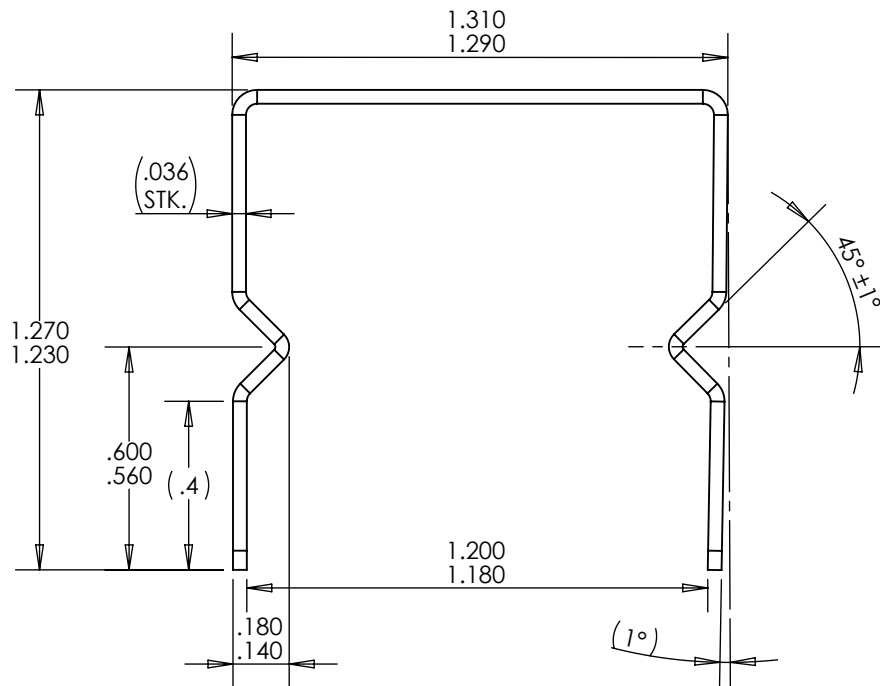
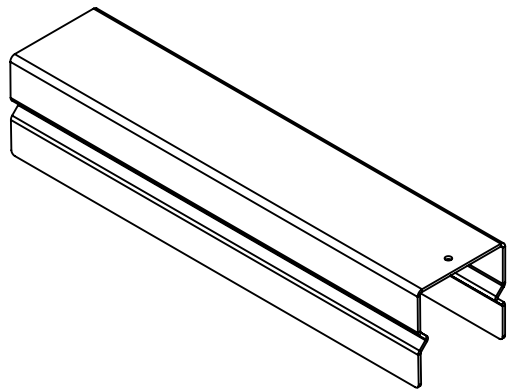
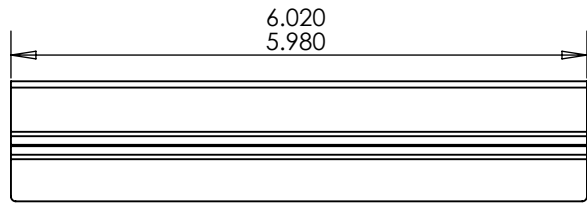
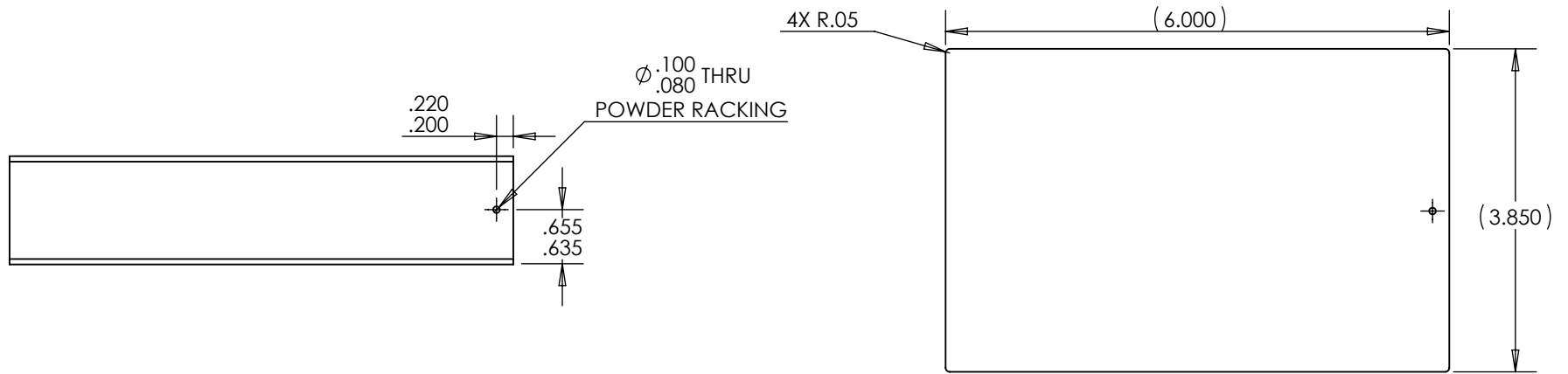


REVISIONS			
REV.	DESCRIPTION	DATE	APPROVED
E	redrawn to sts specs	12/17/02	EGO
1	changed paint to powder coat	05/19/15	stro



- NOTES:**
1. REFERENCE CAD FOR MISSING DIMS
 2. PART TO BE FREE OF BURRS & SHARP EDGES

DECTRON LLC 9750 SW WILSONVILLE ROAD SUITE 300 WILSONVILLE, OR 97070		70-0272-00		REV 1
<small>PROPRIETARY & CONFIDENTIAL THE INFORMATION CONTAINED IN THIS DRAWING IS THE SOLE PROPERTY OF DECTRON AND STROHMAIER CORPORATION. ANY REPRODUCTION IN PART OR AS A WHOLE WITHOUT THE WRITTEN PERMISSION OF DECTRON OR STROHMAIER CORPORATION IS PROHIBITED.</small>		TOLERANCES DECIMAL: .X ±.025 .XX ±.010 .XXX ±.005		TITLE CABLE COVER, 12in RIGID SECTION, BLACK
MATERIAL SHEET, .036 (20 GA) STEEL, CR	FINISH S/W PHANTOM BLACK #HBT4-C002			
SIZE A DRAWN CHASE CHECKED STRO	DO NOT SCALE DRAWING 10/19/17 10/20/17	ANGULAR: ±2°		