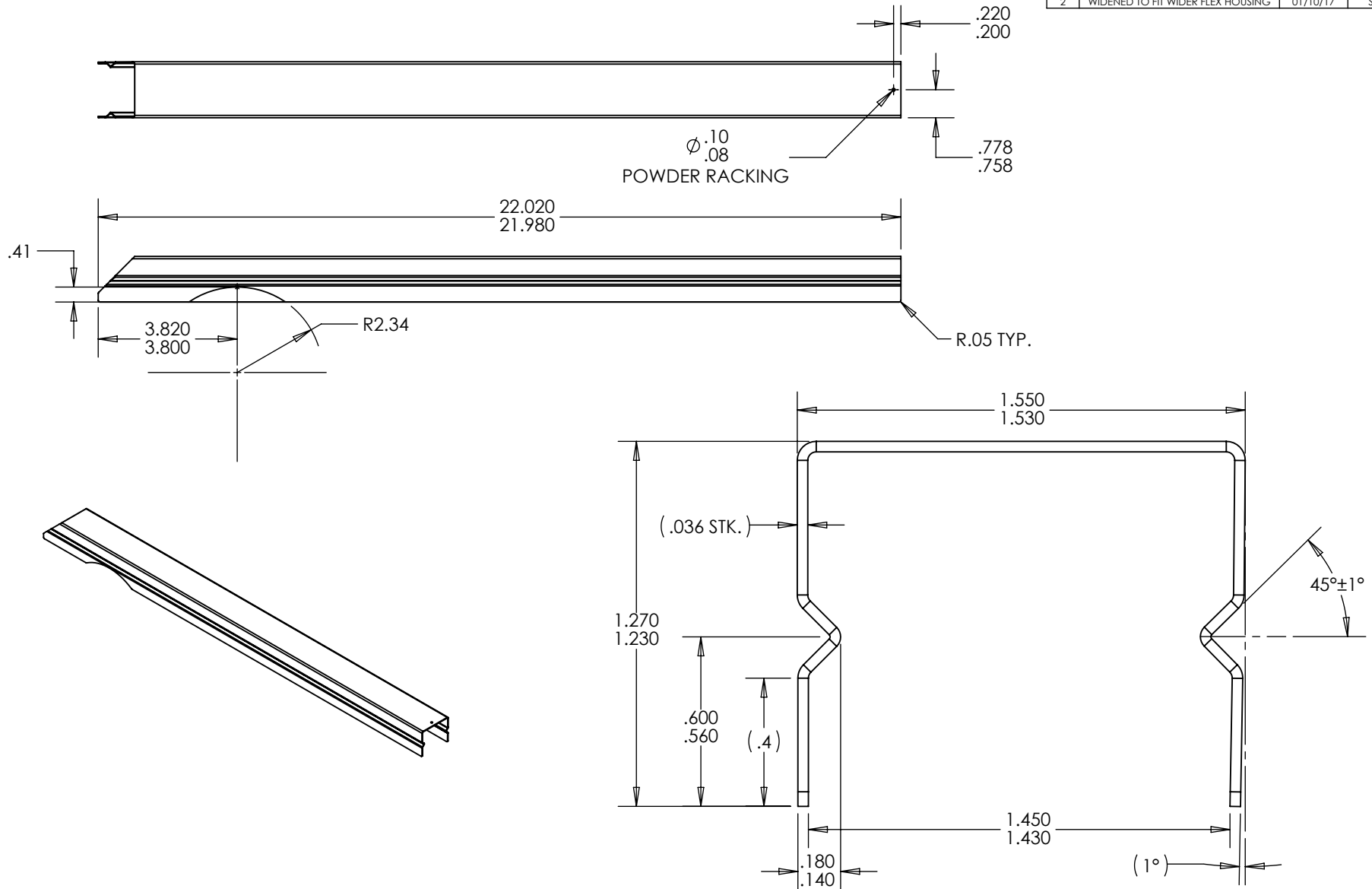


REVISIONS			
REV.	DESCRIPTION	DATE	APPROVED
2	WIDENED TO FIT WIDER FLEX HOUSING	01/10/17	STRO



- NOTES:**
1. REFERENCE CAD FOR MISSING DIMS
  2. PART TO BE FREE OF BURRS & SHARP EDGES

<b>DECTRON USA</b>   Strohmaier Corporation 9750 SW WILSONVILLE ROAD SUITE 300 WILSONVILLE, OR 97070		<b>70-0270-00</b>		<b>REV</b>	<b>2</b>
<small>PROPRIETARY &amp; CONFIDENTIAL          THE INFORMATION CONTAINED IN THIS DRAWING IS THE SOLE PROPERTY OF DECTRON AND STROHMAIER CORPORATION. ANY REPRODUCTION IN PART OR AS A WHOLE WITHOUT THE WRITTEN PERMISSION OF DECTRON OR STROHMAIER CORPORATION IS PROHIBITED.</small>		<b>TOLERANCES</b> DECIMAL: .X ±.025 .XX ±.010 .XXX ±.005		<b>TITLE</b> <b>CABLE COVER, 18" FLEX, BLACK</b>	
<small>DO NOT SCALE DRAWING</small> SIZE A DRAWN CHASE 01/10/17 CHECKED STRO 01/11/17		<b>MATERIAL</b> SHEET, .036 (20 GA) STEEL, CR		<b>FINISH</b> S/W PHANTOM BLACK POWDER COAT #HBT4-C002	

5

4

3

2

1