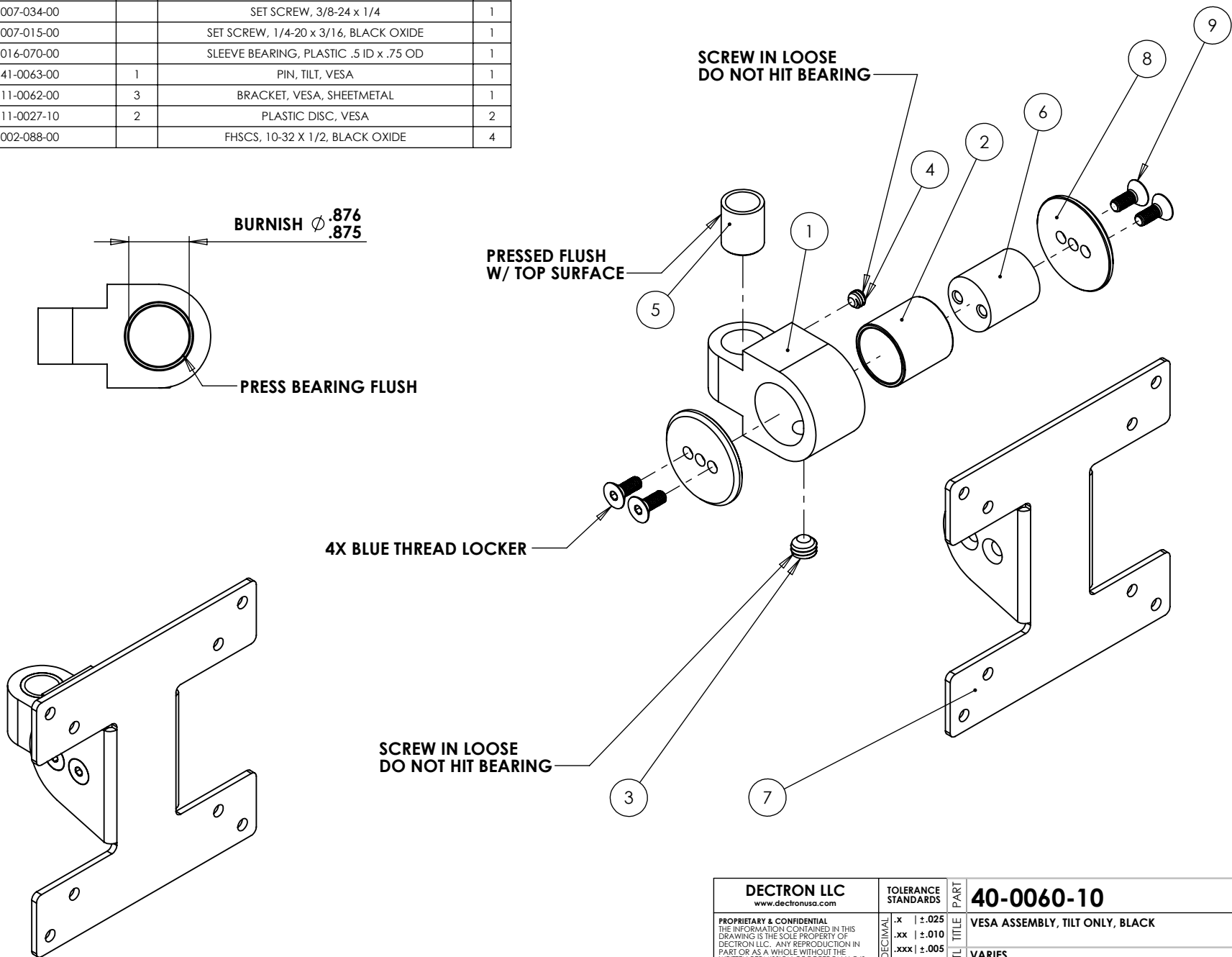


NO	PART#	REV	NAME	QTY.
1	41-0061-00	1	BODY, VESA, BLACK	1
2	016-012-00		BEARING, SLEEVE, BRONZE, .875 ID x 1.0 OD x 1.0	1
3	007-034-00		SET SCREW, 3/8-24 x 1/4	1
4	007-015-00		SET SCREW, 1/4-20 x 3/16, BLACK OXIDE	1
5	016-070-00		SLEEVE BEARING, PLASTIC, .5 ID x .75 OD	1
6	41-0063-00	1	PIN, TILT, VESA	1
7	11-0062-00	3	BRACKET, VESA, SHEETMETAL	1
8	11-0027-10	2	PLASTIC DISC, VESA	2
9	002-088-00		FHSCS, 10-32 X 1/2, BLACK OXIDE	4



DECTRON LLC www.dectronusa.com		TOLERANCE STANDARDS	PART	REV	1
PROPRIETARY & CONFIDENTIAL THE INFORMATION CONTAINED IN THIS DRAWING IS THE SOLE PROPERTY OF DECTRON LLC. ANY REPRODUCTION IN PART OR AS A WHOLE WITHOUT THE WRITTEN PERMISSION OF DECTRON LLC IS PROHIBITED.		x ±.025 .xx ±.010 .xxx ±.005	40-0060-10	VESA ASSEMBLY, TILT ONLY, BLACK	
SIZE A DO NOT SCALE DRAWING		ANGULAR DECIMAL	FINISH MATL	TITLE PART	
DRAWN CHASE	11/24/14	±2°	BLACK	VARIES	
CHECKED STRO	11/24/14				

5

4

3

2

1