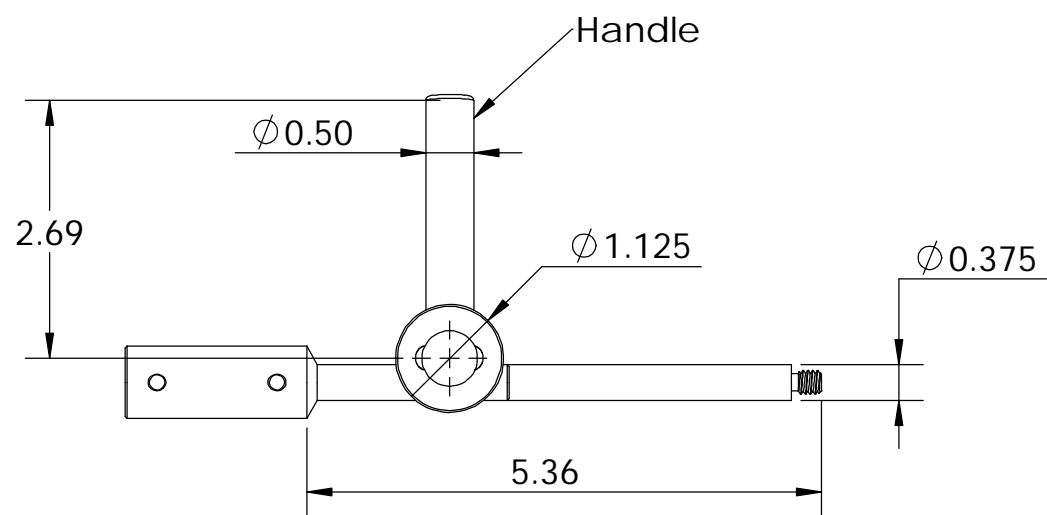
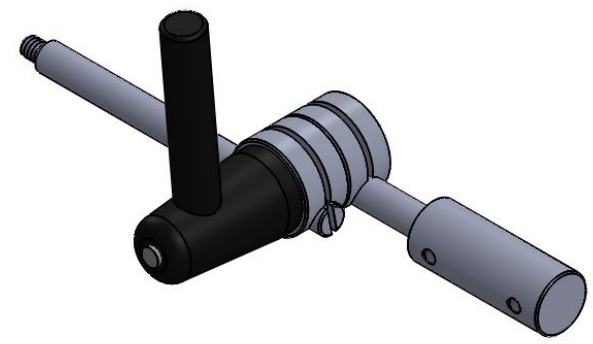
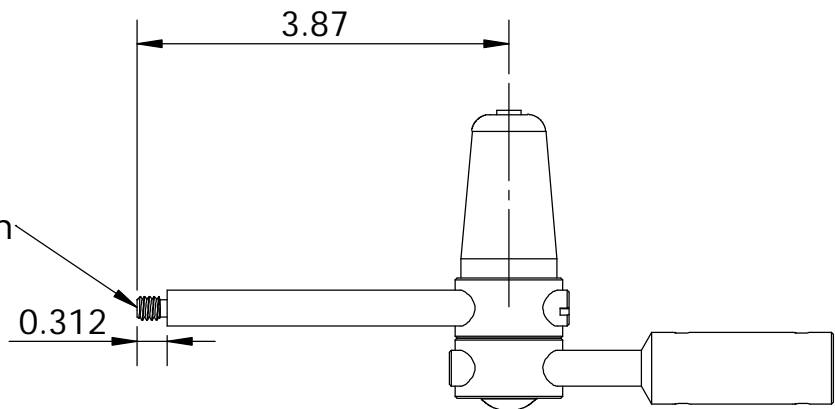


1\4-20 Thread Load Pin



PART NUMBER

**20-0086-00**

DESCRIPTION

**Articulating Load Joint**

**DECTRON**

[www.DecTronUSA.com](http://www.DecTronUSA.com)

Information in the drawing is for reference only. Units of measure shown in inches unless otherwise noted.

THE INFORMATION CONTAINED IN THIS DRAWING IS THE SOLE PROPERTY OF STROHMAIER CORPORATION. ANY REPRODUCTION IN PART OR AS A WHOLE WITHOUT THE WRITTEN PERMISSION OF STROHMAIER CORPORATION IS STRICTLY PROHIBITED.