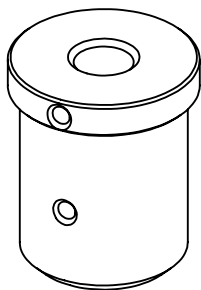
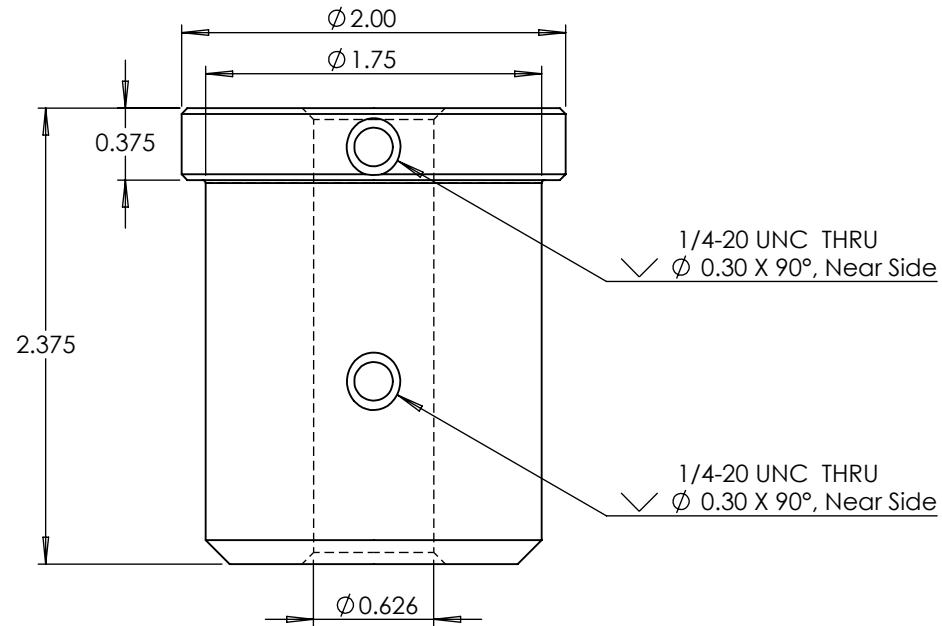


REVISIONS			
REV.	DESCRIPTION	DATE	APPROVED
1	new part	12.29.23	chase



DECTRON LLC www.dectronusa.com		TOLERANCE STANDARDS	PART	REV	1
<small>PROPRIETARY & CONFIDENTIAL THE INFORMATION CONTAINED IN THIS DRAWING IS THE SOLE PROPERTY OF DECTRON LLC. ANY REPRODUCTION IN PART OR AS A WHOLE WITHOUT THE WRITTEN PERMISSION OF DECTRON LLC IS PROHIBITED.</small>		x ± 0.25 .xx ± 0.10 .xxx ± 0.05	10-0620-05	TOP MOUNT INSERT, .5in ID 20 & 40 SERIES	
<small>SIZE A DO NOT SCALE DRAWING</small> <small>DRAWN CHASE 10.03.23</small> <small>CHECKED</small>		ANGULAR $\pm 2^\circ$	FINISH MATL TITLE PART BLACK ANODIZE	DECTRON PART# 11-0620-0X ALUMINUM	

5

4

3

2

1