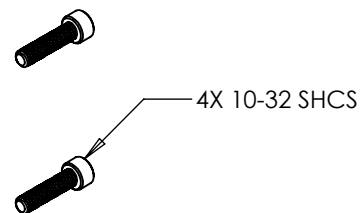
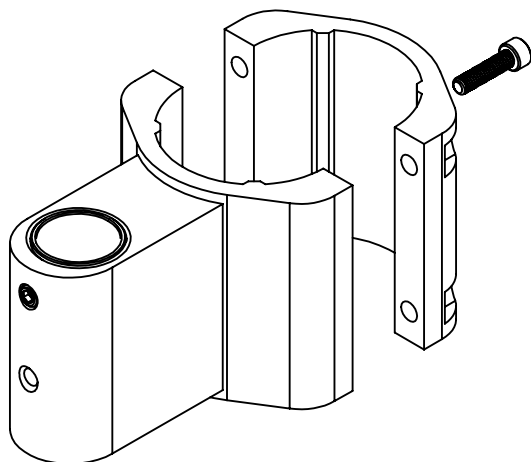
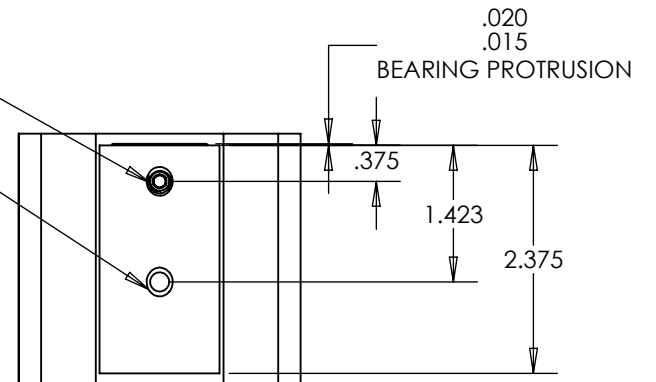


ROTATION  
ADJUSTMENT  
SCREW

PRE-DRILLED FOR 1/4-20 LOCK LEVER  
\* sold seperately



INFORMATION IN THE  
DRAWING IS FOR  
REFERENCE ONLY. UNITS  
OF MEASURE SHOWN IN  
INCHES UNLESS NOTED  
OTHERWISE. THE  
INFORMATION CONTAINED  
IN THIS DRAWING IS THE  
SOLE PROPERTY OF  
DECTRON LLC. ANY  
REPRODUCTION IN PART  
OR AS A WHOLE WITHOUT  
THE WRITTEN PERMISSION  
OF DECTRON LLC IS  
STRICTLY PROHIBITED.

**DECTRON** LLC

PART#  
70-0008-00

REV

2

DESCRIPTION  
2in DELUXE POLE MOUNT