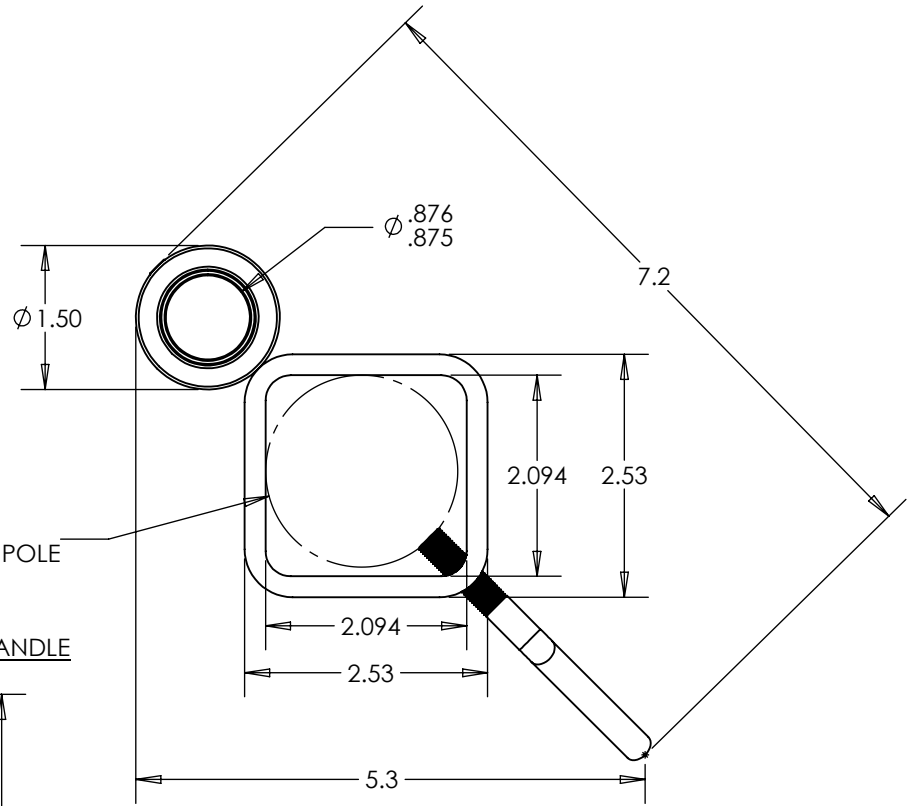
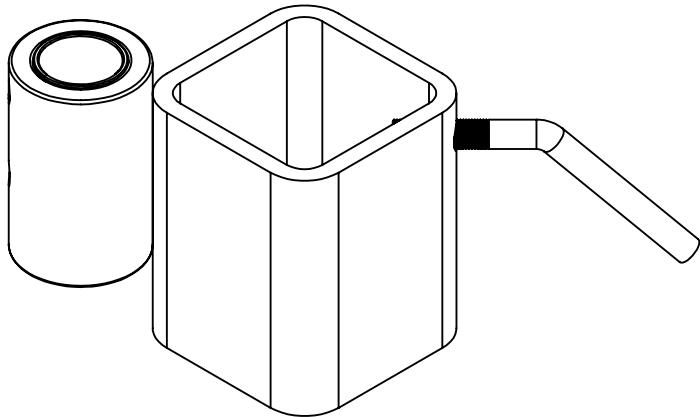
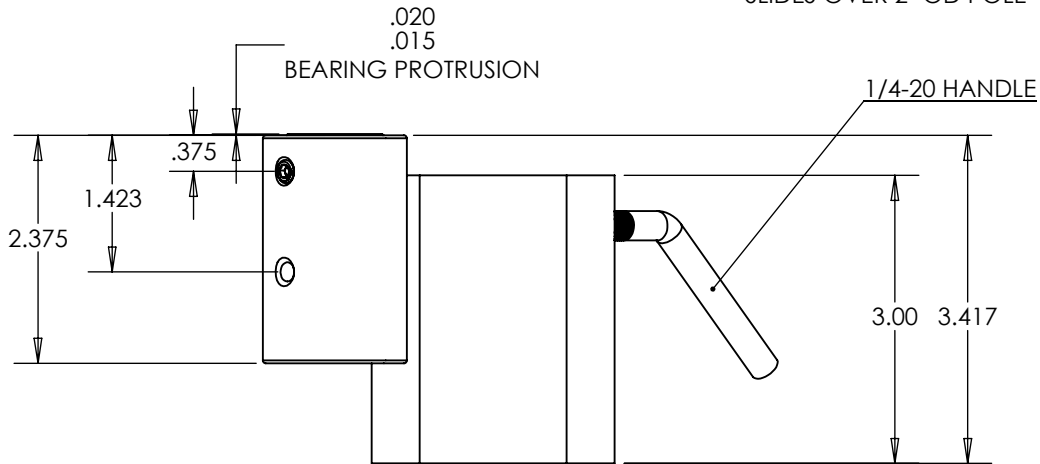


ROTATION TENSION
ADJUSTMENT SCREW

PRE-DRILLED 1/4-20
FOR OPTIONAL LOCK LEVER



Ø 2.00 REF.
SLIDES OVER 2" OD POLE



INFORMATION IN THE
DRAWING IS FOR
REFERENCE ONLY. UNITS
OF MEASURE SHOWN IN
INCHES UNLESS NOTED
OTHERWISE. THE
INFORMATION CONTAINED
IN THIS DRAWING IS THE
SOLE PROPERTY OF
DECTRON LLC. ANY
REPRODUCTION IN PART
OR AS A WHOLE WITHOUT
THE WRITTEN PERMISSION
OF DECTRON LLC IS
STRICTLY PROHIBITED.

DECTRON LLC

PART#
70-0010-00

REV
L

DESCRIPTION
2in QUICK ADJUST POLE MOUNT