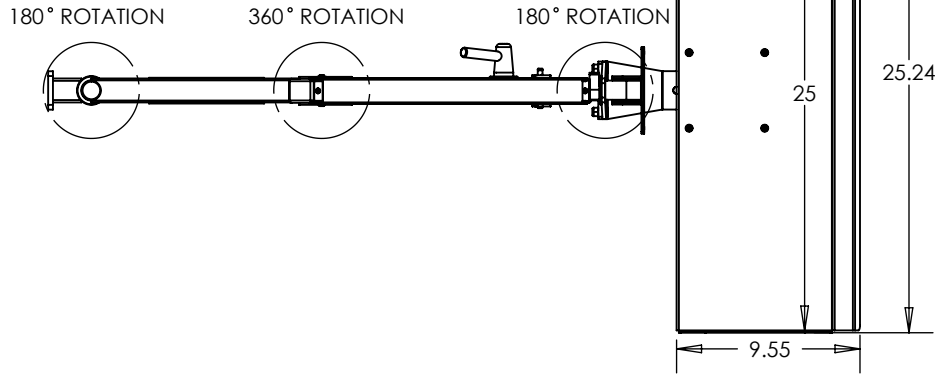
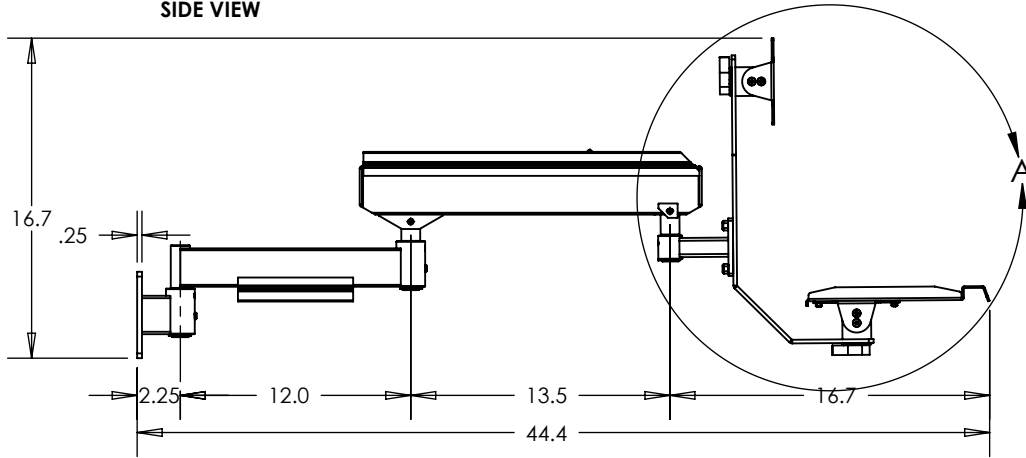


INFORMATION IN THE DRAWING IS FOR REFERENCE ONLY. UNITS OF MEASURE SHOWN IN INCHES UNLESS NOTED OTHERWISE. THE INFORMATION CONTAINED IN THIS DRAWING IS THE SOLE PROPERTY OF DECTRON AND STROHMAIER CORPORATION. ANY REPRODUCTION IN PART OR AS A WHOLE WITHOUT THE WRITTEN PERMISSION OF DECTRON OR STROHMAIER CORPORATION IS STRICTLY PROHIBITED.

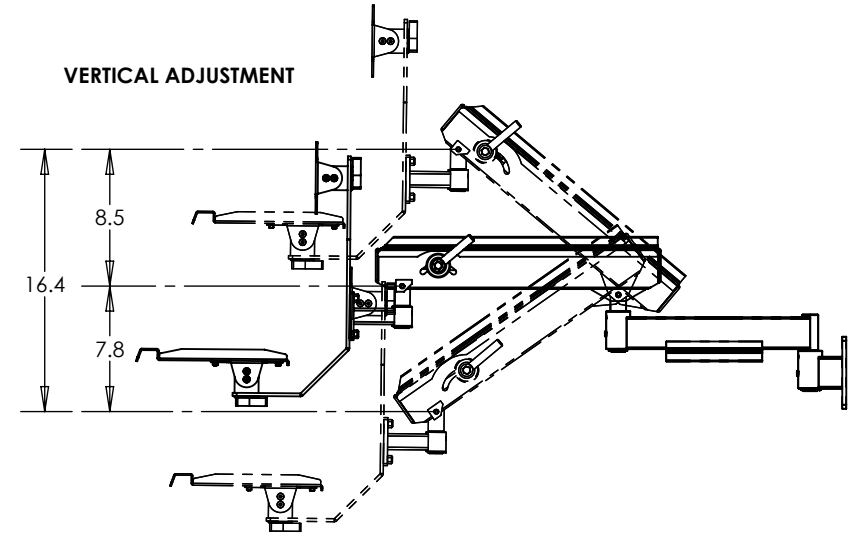
TOP VIEW



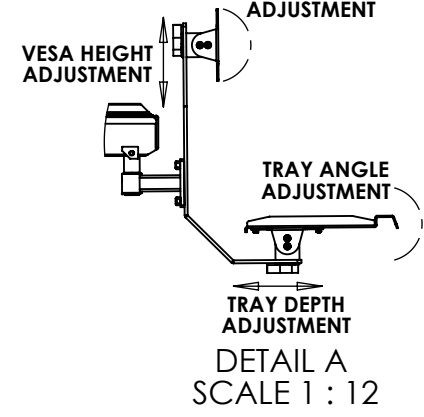
SIDE VIEW



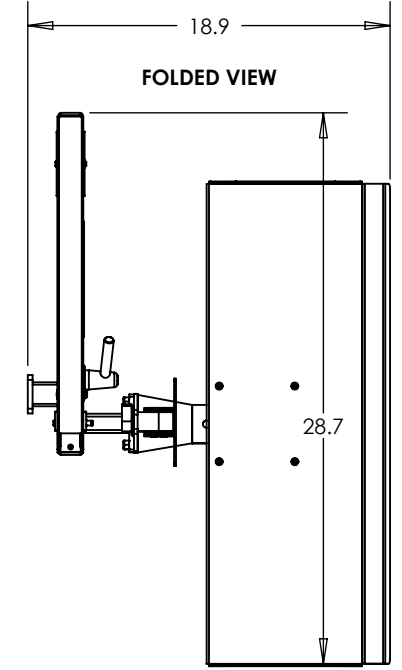
VERTICAL ADJUSTMENT



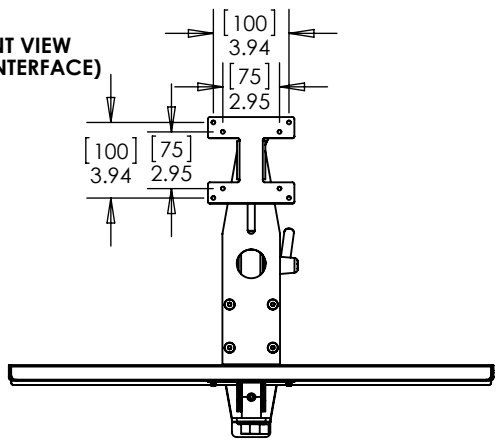
VESA ANGLE ADJUSTMENT



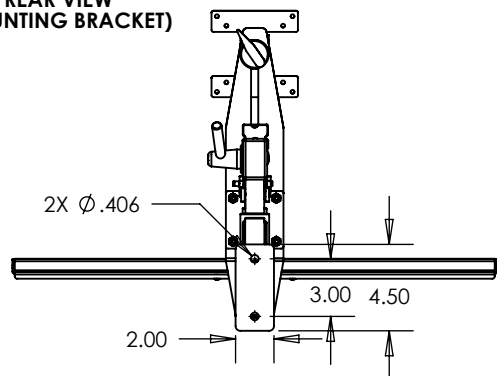
FOLDED VIEW



FRONT VIEW (VESA INTERFACE)



REAR VIEW (MOUNTING BRACKET)



DECTRON USA

PART# 70-8650-00 (4-21 lbs)
70-8651-00 (18-43 lbs)

DESCRIPTION
INDUSTRIAL ULTRA FLEX 360 MONITOR MOUNT W/ INTEGRATED KEYBOARD TRAY