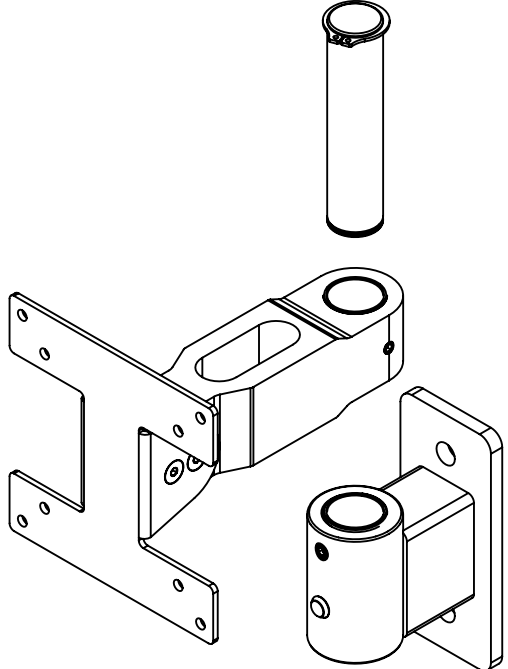
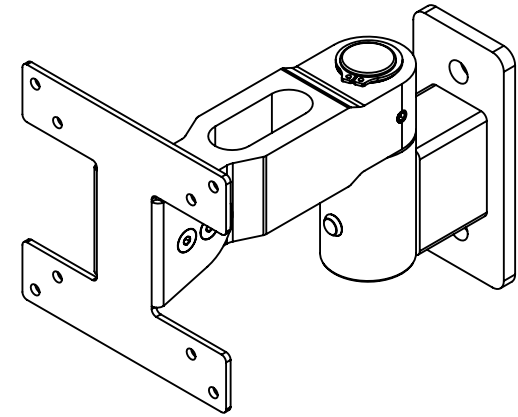
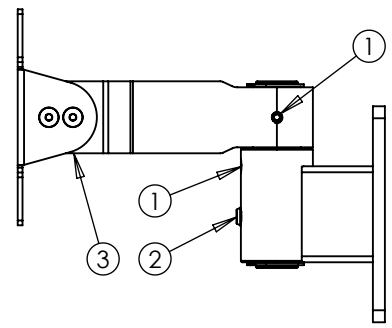


INFORMATION IN THE DRAWING IS FOR REFERENCE ONLY. UNITS OF MEASURE SHOWN IN INCHES UNLESS NOTED OTHERWISE. THE INFORMATION CONTAINED IN THIS DRAWING IS THE SOLE PROPERTY OF DECTRON AND STROHMAIER CORPORATION. ANY REPRODUCTION IN PART OR AS A WHOLE WITHOUT THE WRITTEN PERMISSION OF DECTRON OR STROHMAIER CORPORATION IS STRICTLY PROHIBITED.



EXTERNAL RETAINING RING
**** Retaining Ring Pliers Required**

- 1 = ROTATION TENSION SCREW
**** Do not adjust until kit is fully assembled**
- 2 = PRE DRILLED FOR 1/4-20 ARM ROTATION LEVER LOCKS
**** Sold Separately**
- 3 = TILT TENSION ADJUSTMENT SCREW



DECTRON USA	
PART#	70-5950-00
DESCRIPTION	SINGLE MONITOR FLUSH MOUNT