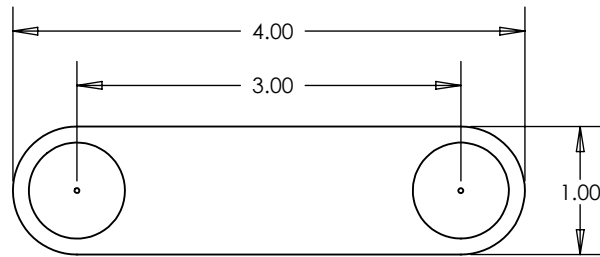
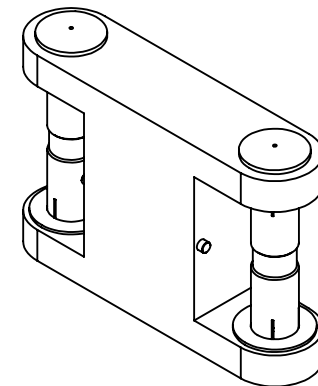
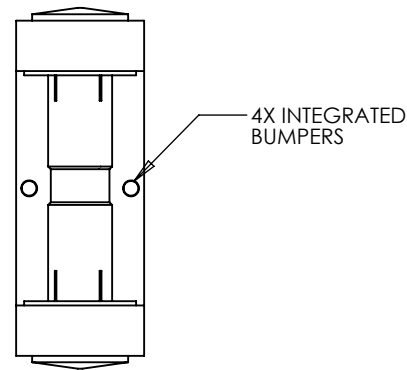
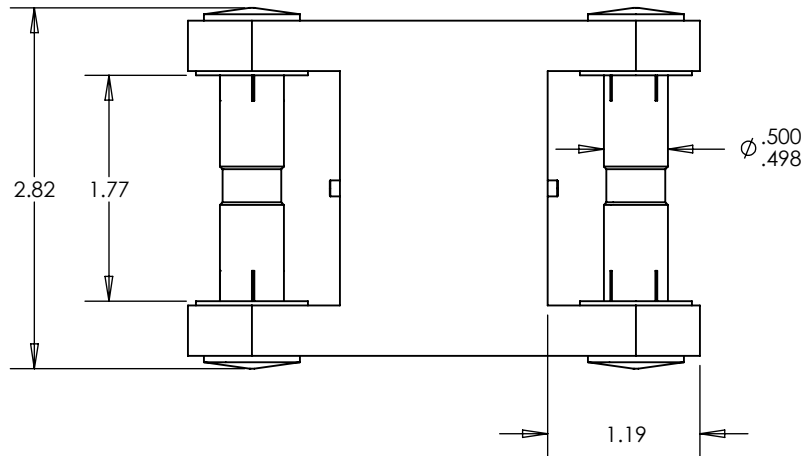
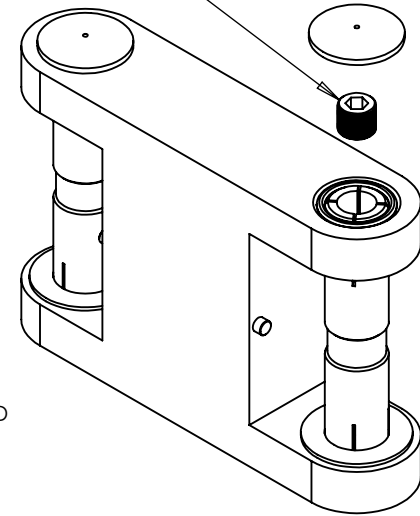


INFORMATION IN THE DRAWING IS FOR REFERENCE ONLY. UNITS OF MEASURE SHOWN IN INCHES UNLESS NOTED OTHERWISE. THE INFORMATION CONTAINED IN THIS DRAWING IS THE SOLE PROPERTY OF DECTRON AND STROHMAIER CORPORATION. ANY REPRODUCTION IN PART OR AS A WHOLE WITHOUT THE WRITTEN PERMISSION OF DECTRON OR STROHMAIER CORPORATION IS STRICTLY PROHIBITED.

DECTRON



REMOVE PIN COVER & TIGHTEN OR LOOSEN TAPERED SET SCREW TO INCREASE OR DECREASE ROTATION TENSION



MODULAR ERGONOMICS ENGINEERED FOR OFFICE & INDUSTRY

TITLE	
40 Series H Link Connector	
CAPACITY	
40 lbs	
FINISH	PART#
Black	40-0202-00