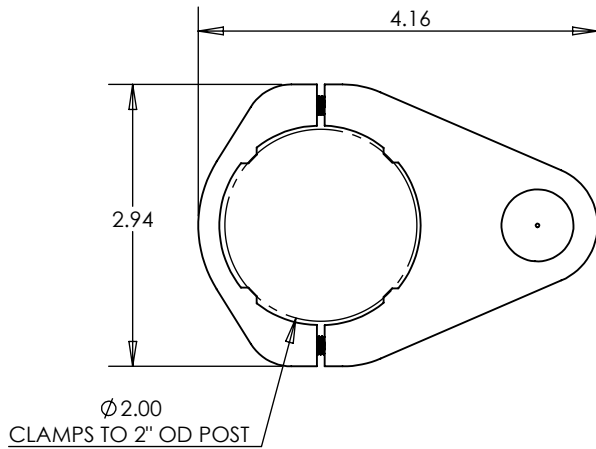


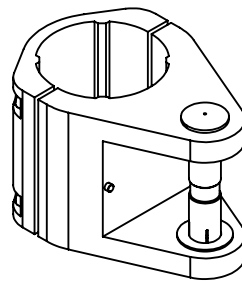
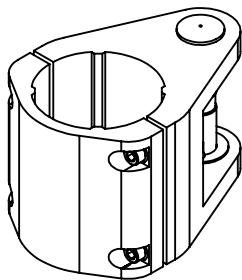
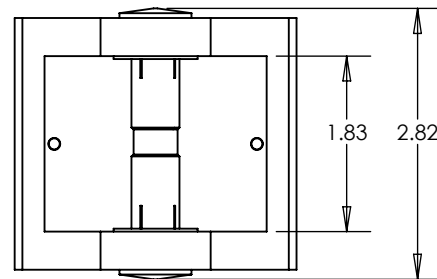
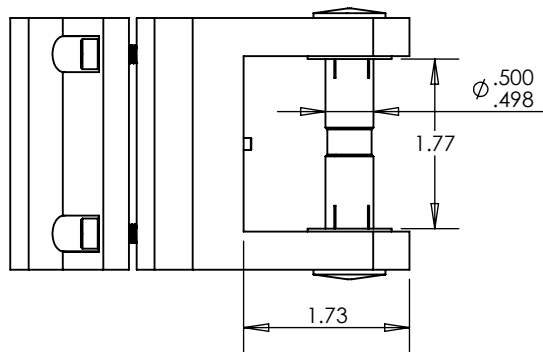
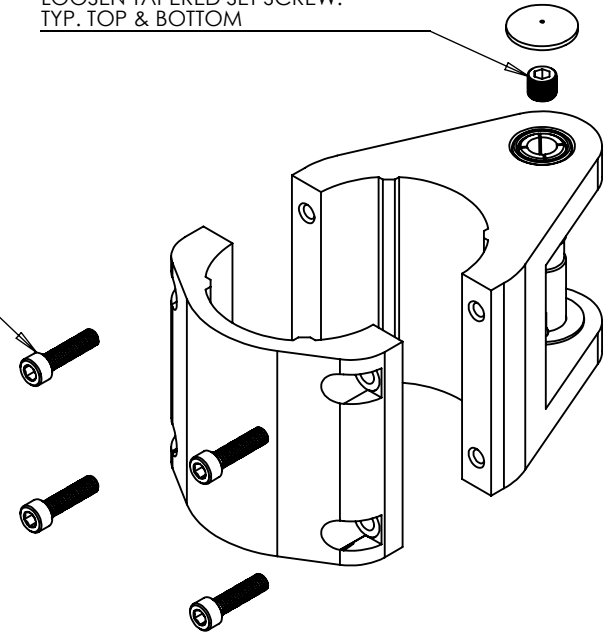
INFORMATION IN THE DRAWING IS FOR REFERENCE ONLY. UNITS OF MEASURE SHOWN IN INCHES UNLESS NOTED OTHERWISE. THE INFORMATION CONTAINED IN THIS DRAWING IS THE SOLE PROPERTY OF DECTRON AND STROHMAIER CORPORATION. ANY REPRODUCTION IN PART OR AS A WHOLE WITHOUT THE WRITTEN PERMISSION OF DECTRON OR STROHMAIER CORPORATION IS STRICTLY PROHIBITED.

DECTRON



4X 10-32 x 3/4" SHCS

TO ADJUST ARM ROTATION TENSION,
REMOVE PIN COVER AND TIGHTEN OR
LOOSEN TAPERED SET SCREW.
TYP. TOP & BOTTOM



MODULAR ERGONOMICS ENGINEERED FOR OFFICE & INDUSTRY

TITLE	
40 Series 2" Pole Mount	
CAPACITY	
40 lbs	
FINISH	PART#
Black	40-0008-00