

INFORMATION IN THE DRAWING IS FOR REFERENCE ONLY. UNITS OF MEASURE SHOWN IN INCHES UNLESS NOTED OTHERWISE. THE INFORMATION CONTAINED IN THIS DRAWING IS THE SOLE PROPERTY OF DECTRON AND STROHMAIER CORPORATION. ANY REPRODUCTION IN PART OR AS A WHOLE WITHOUT THE WRITTEN PERMISSION OF DECTRON OR STROHMAIER CORPORATION IS STRICTLY PROHIBITED.

DECTRON

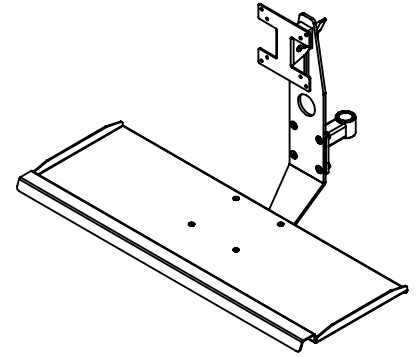
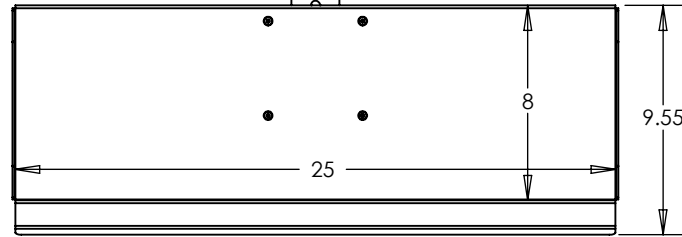
MODULAR ERGONOMIC ARMS ENGINEERED FOR INDUSTRY

1/4-28 ROTATION TENSION
ADJUSTMENT SCREW

Ø 1.25

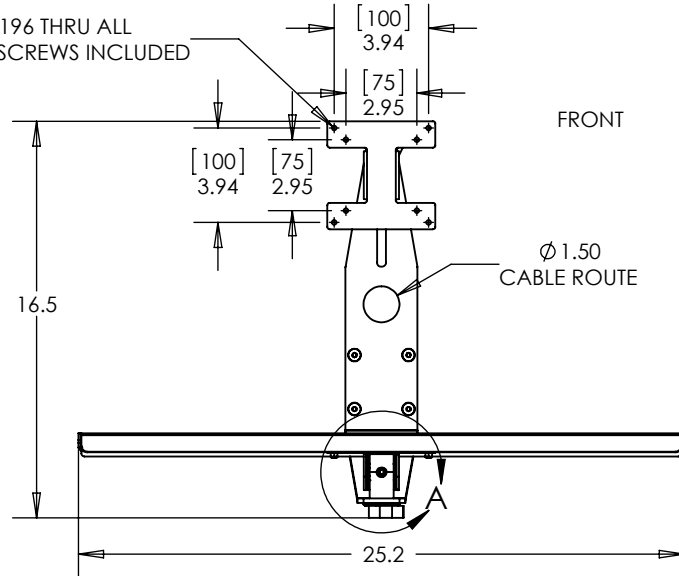
Ø .876
Ø .875

TOP



8X Ø .196 THRU ALL
4 MONITOR SCREWS INCLUDED

FRONT



SIDE ANGLED

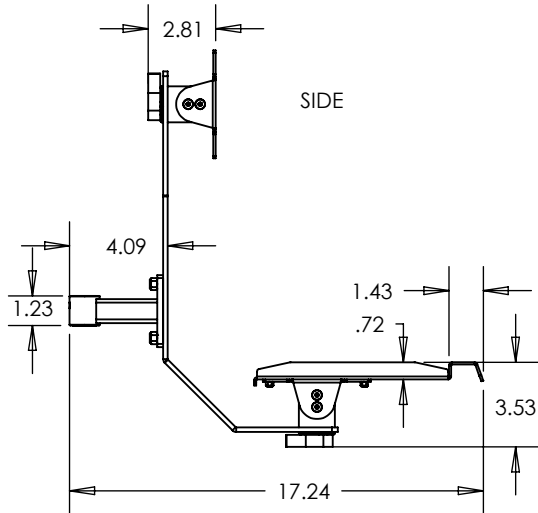
ADJUSTABLE MONITOR
& KEYBOARD ANGLE

ANGLE TENSION
ADJUSTMENT SCREW

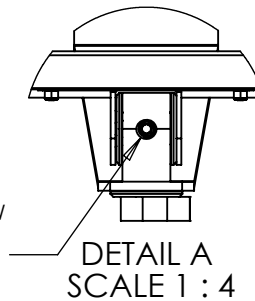
ADJUSTABLE
MONITOR
HEIGHT

ADJUSTABLE KEYBOARD
DEPTH

ANGLE TENSION
ADJUSTMENT SCREW



ANGLE TENSION ADJUSTMENT SCREW
** 5/16 HEX KEY REQUIRED
2X - AT KEYBOARD & MONITOR



TITLE	
INTEGRATED COMPUTER WORKSTATION	
MATERIAL	
STEEL AND ALUMINUM	
CAPACITY	
30 LBS.	
FINISH	PART#
PHANTOM BLACK	70-0080-00