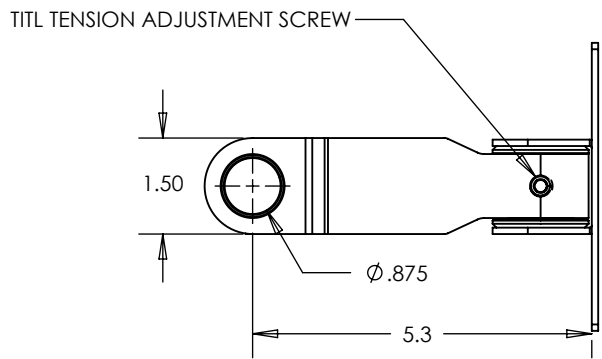
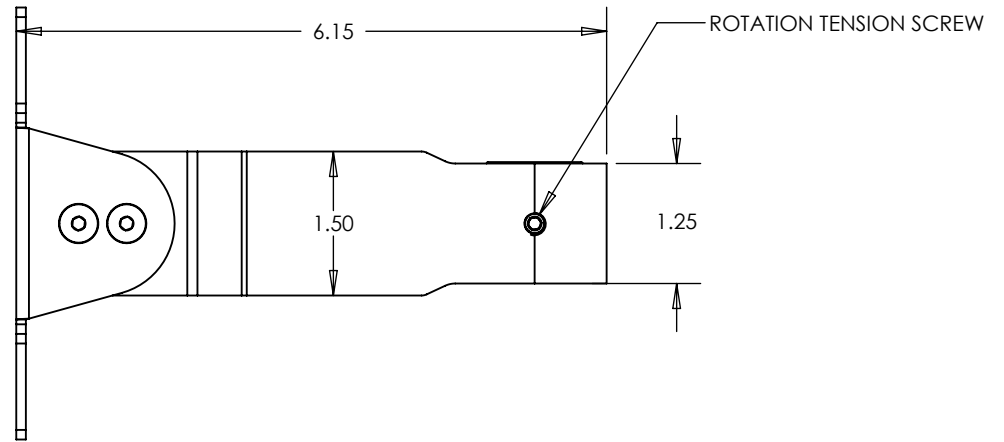
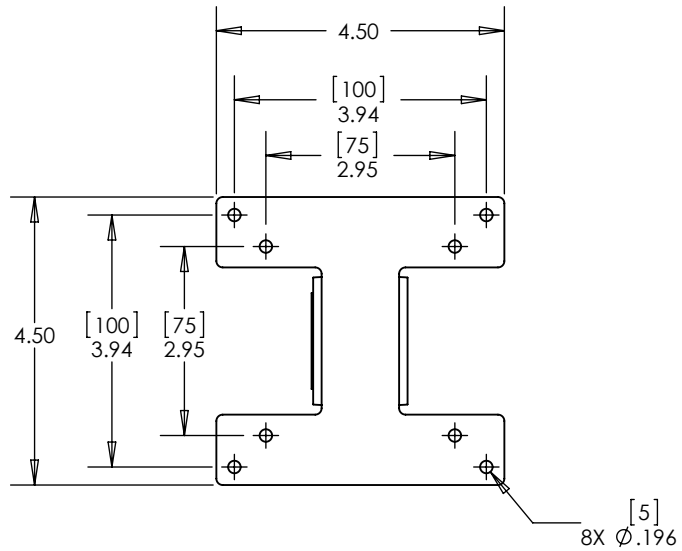
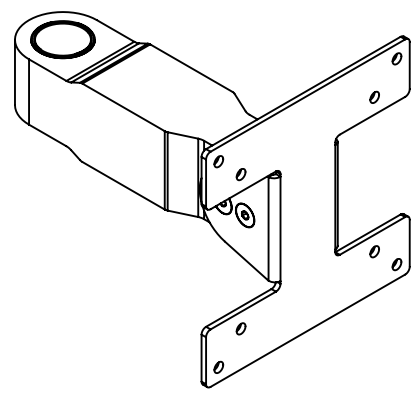
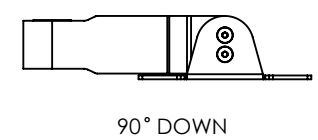
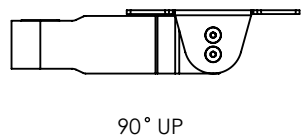


INFORMATION IN THE DRAWING IS FOR REFERENCE ONLY. UNITS OF MEASURE SHOWN IN INCHES UNLESS NOTED OTHERWISE. THE INFORMATION CONTAINED IN THIS DRAWING IS THE SOLE PROPERTY OF DECTRON AND STROHMAIER CORPORATION. ANY REPRODUCTION IN PART OR AS A WHOLE WITHOUT THE WRITTEN PERMISSION OF DECTRON OR STROHMAIER CORPORATION IS STRICTLY PROHIBITED.



ANGLE ADJUSTMENT RANGE



QTY. (4) M4 x 0.7 x 10MM Phillips Drive Button Head Screws included in package will interface with most standard monitors featuring VESA hole configuration. Please reference your monitors manual for suggested monitor mounting hardware.

DECTRON USA	
PART#	70-0060-00
DESCRIPTION	VESA MONITOR MOUNTING ATTACHMENT