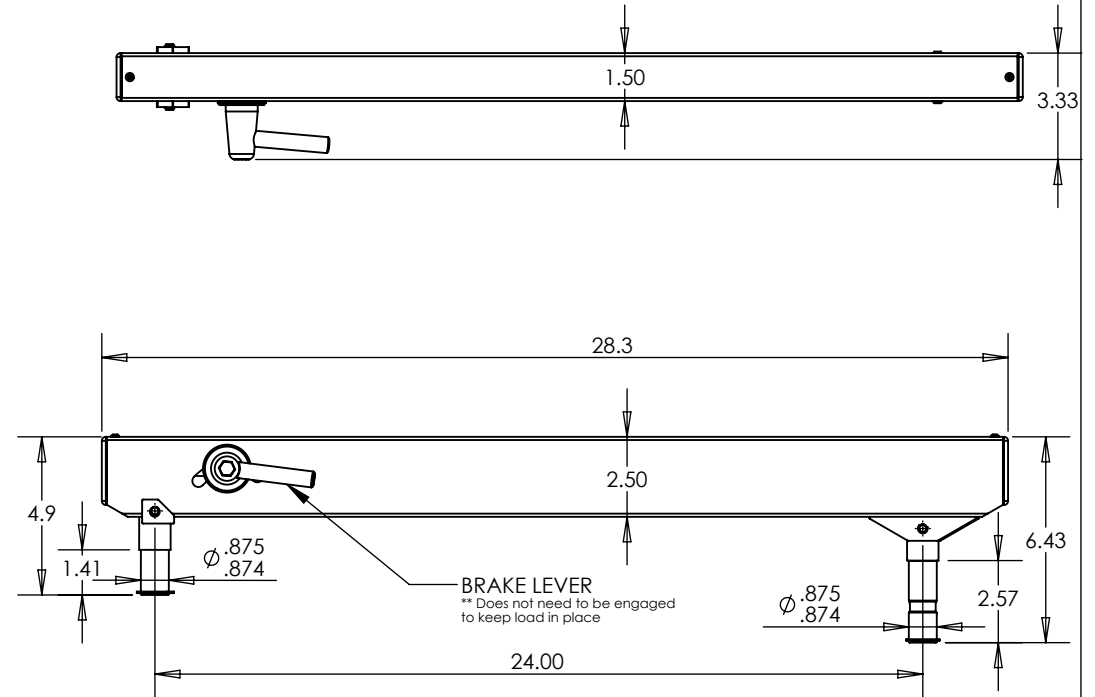
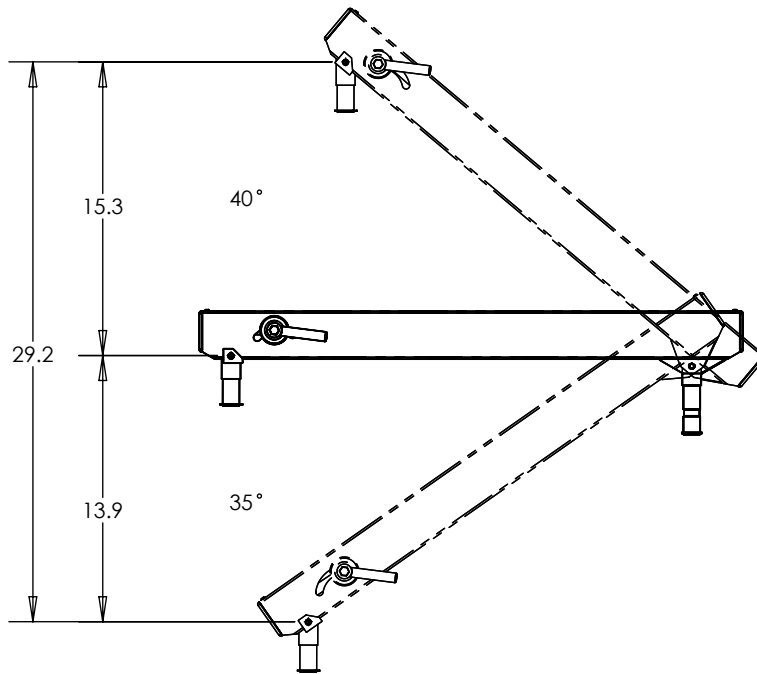


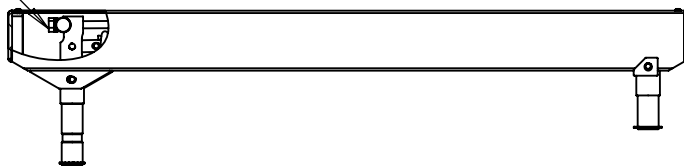
INFORMATION IN THE DRAWING IS FOR REFERENCE ONLY. UNITS OF MEASURE SHOWN IN INCHES UNLESS NOTED OTHERWISE. THE INFORMATION CONTAINED IN THIS DRAWING IS THE SOLE PROPERTY OF DECTRON AND STROHMAIER CORPORATION. ANY REPRODUCTION IN PART OR AS A WHOLE WITHOUT THE WRITTEN PERMISSION OF DECTRON OR STROHMAIER CORPORATION IS STRICTLY PROHIBITED.

DECTRON

MODULAR ERGONOMIC ARMS ENGINEERED FOR INDUSTRY

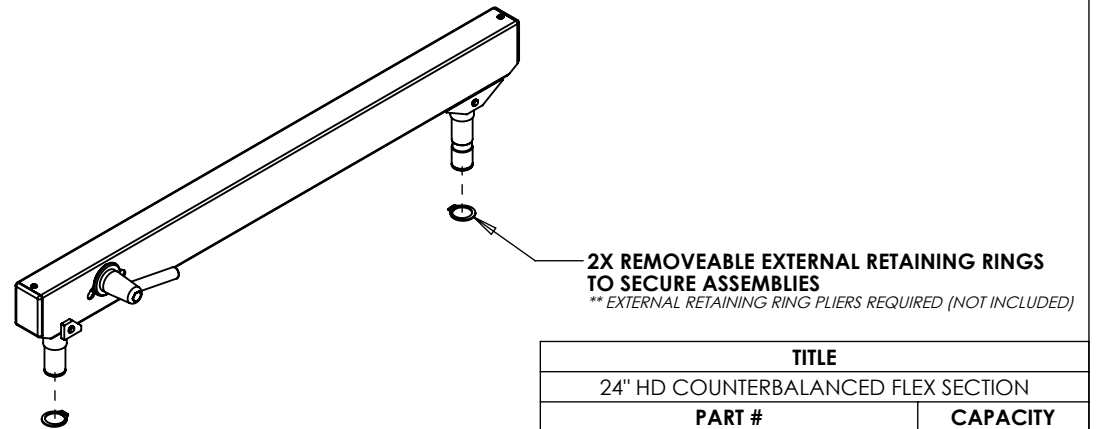


SEE NOTES



NOTES

1) TO ADJUST ARM COUNTERBALANCE, REMOVE REAR ARM END CAP AND TIGHTEN ADJUSTING BOLT TO INCREASE CAPACITY OR LOOSEN TO DECREASE CAPACITY.
** 1/2" SOCKET WRENCH REQUIRED, NOT INCLUDED.



| TITLE | |
|-------------------------------------|------------|
| 24" HD COUNTERBALANCED FLEX SECTION | |
| PART # | CAPACITY |
| 70-2424-00 | 3-24 LBS. |
| 70-2435-00 | 16-35 LBS. |
| 70-2445-00 | 20-45 LBS. |