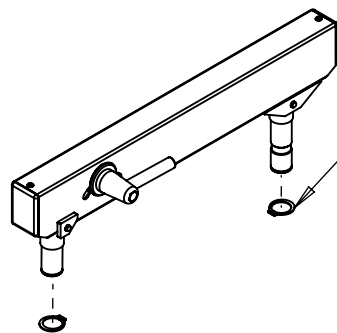
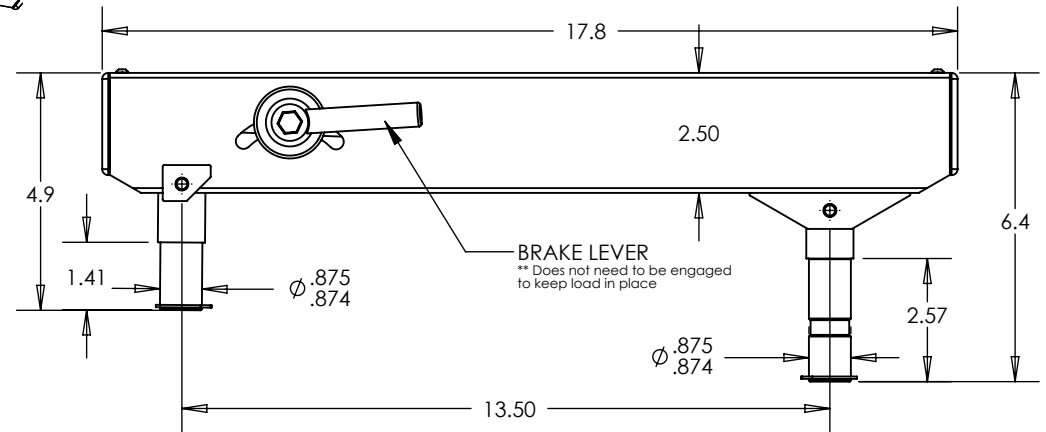
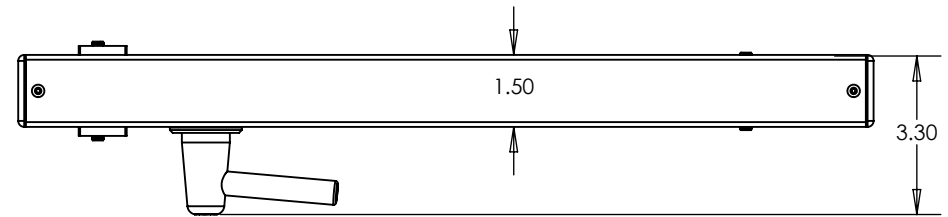
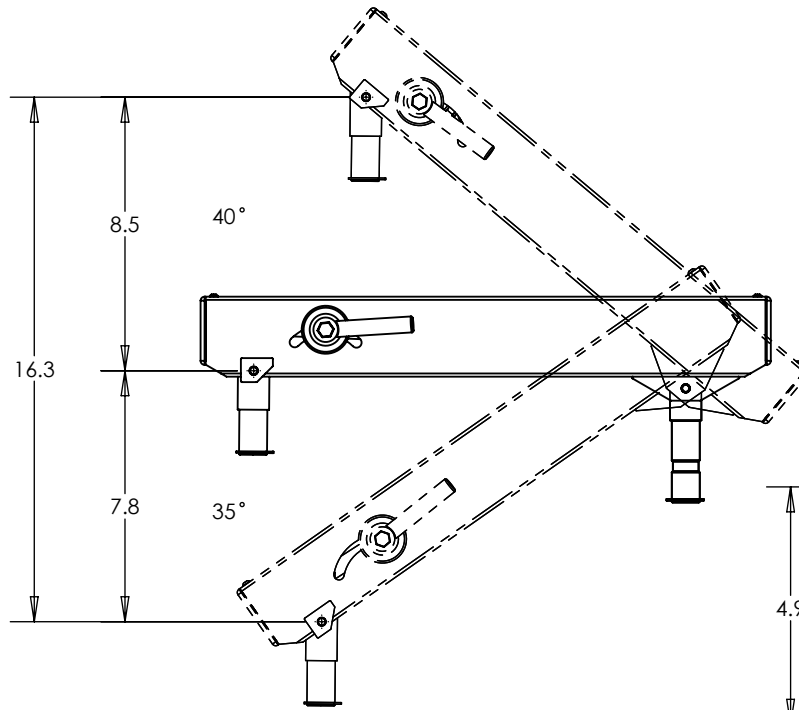


INFORMATION IN THE DRAWING IS FOR REFERENCE ONLY. UNITS OF MEASURE SHOWN IN INCHES UNLESS NOTED OTHERWISE. THE INFORMATION CONTAINED IN THIS DRAWING IS THE SOLE PROPERTY OF DECTRON AND STROHMAIER CORPORATION. ANY REPRODUCTION IN PART OR AS A WHOLE WITHOUT THE WRITTEN PERMISSION OF DECTRON OR STROHMAIER CORPORATION IS STRICTLY PROHIBITED.

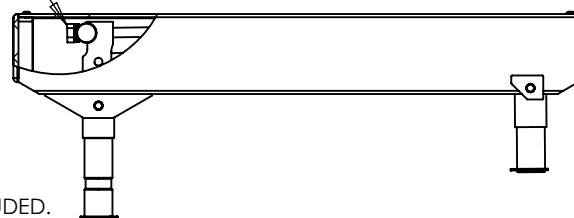
# DECTRON

MODULAR ERGONOMIC ARMS ENGINEERED FOR INDUSTRY



**2X REMOVEABLE EXTERNAL RING CLIPS TO SECURE ASSEMBLIES**  
 \*\* EXTERNAL RETAINING RING PLIERS REQUIRED (NOT INCLUDED)

NOTE 1



**NOTES**

1) TO ADJUST ARM COUNTERBALANCE, REMOVE REAR ARM END CAP AND TIGHTEN ADJUSTING BOLT TO INCREASE CAPACITY OR LOOSEN TO DECREASE CAPACITY.  
 \*\* 1/2" SOCKET WRENCH REQUIRED, NOT INCLUDED.

TITLE	
13.5" HD COUNTERBALANCED FLEX SECTION	
PART #	CAPACITY
70-1321-00	4-21 LBS.
70-1343-00	18-43 LBS.