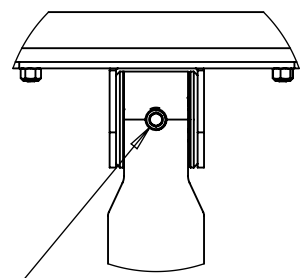
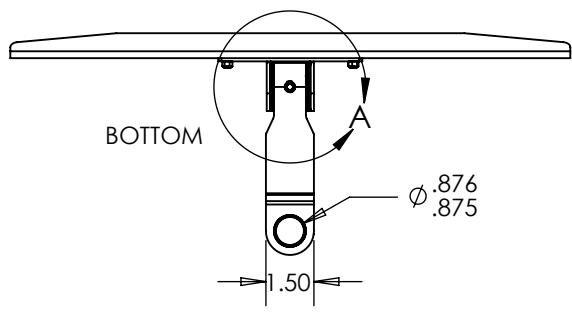
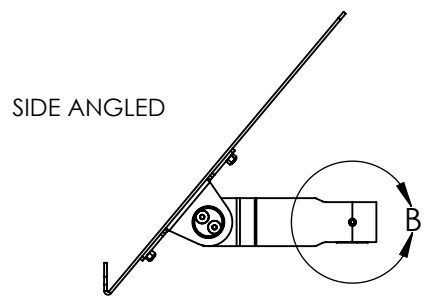
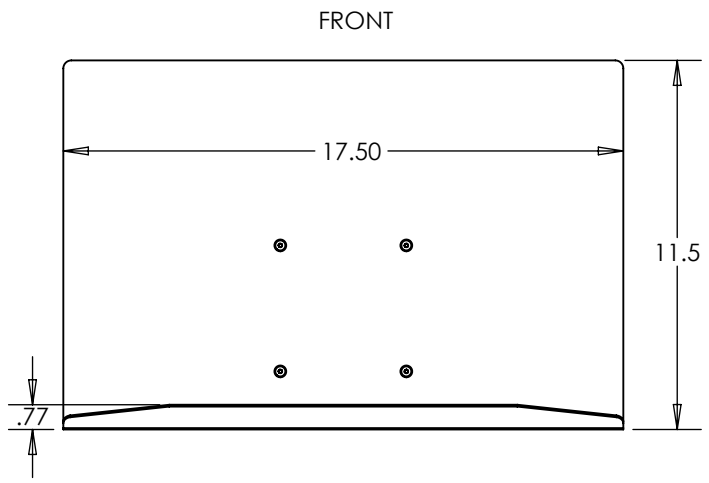
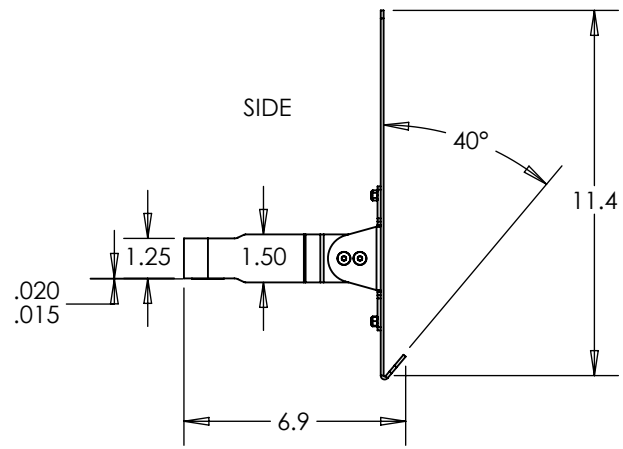
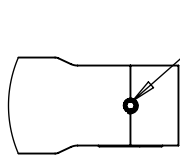


INFORMATION IN THE DRAWING IS FOR REFERENCE ONLY. UNITS OF MEASURE SHOWN IN INCHES UNLESS NOTED OTHERWISE. THE INFORMATION CONTAINED IN THIS DRAWING IS THE SOLE PROPERTY OF DECTRON AND STROHMAIER CORPORATION. ANY REPRODUCTION IN PART OR AS A WHOLE WITHOUT THE WRITTEN PERMISSION OF DECTRON OR STROHMAIER CORPORATION IS STRICTLY PROHIBITED.



ANGLE TENSION ADJUSTMENT SCREW  
\*\* 5/16 HEX KEY REQUIRED

SCALE 1 : 3



ROTATION TENSION ADJUSTMENT SCREW  
\*\* 3/16 HEX KEY REQUIRED

TO AVOID DISTORTING BEARING, DO NOT  
ADJUST UNTIL CONNECTED TO ANOTHER  
COMPONENT

SCALE 1 : 3

<b>DECTRON</b> USA	
<b>PART#</b>	70-0407-10
<b>DESCRIPTION</b>	DOCUMENT TRAY