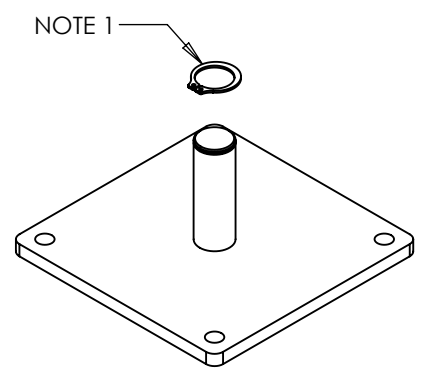
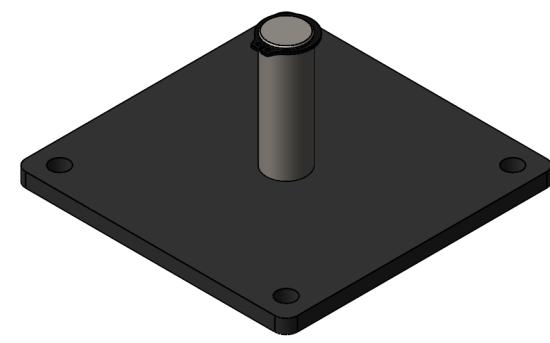
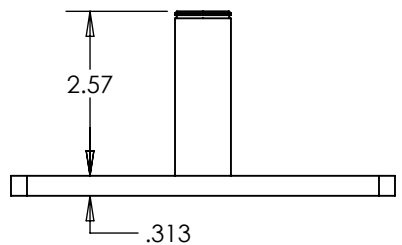
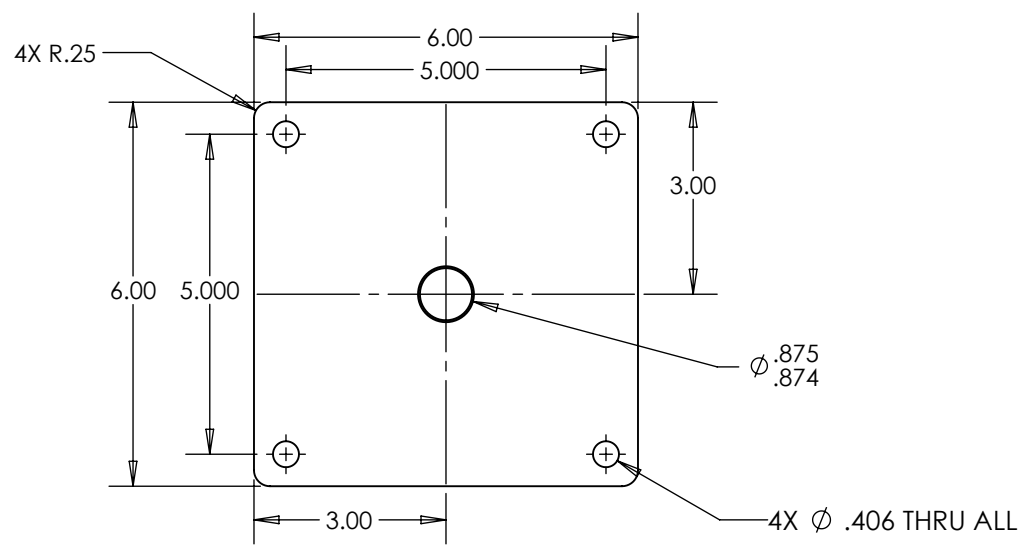


INFORMATION IN THE DRAWING IS FOR REFERENCE ONLY. UNITS OF MEASURE SHOWN IN INCHES UNLESS NOTED OTHERWISE. THE INFORMATION CONTAINED IN THIS DRAWING IS THE SOLE PROPERTY OF DECTRON AND STROHMAIER CORPORATION. ANY REPRODUCTION IN PART OR AS A WHOLE WITHOUT THE WRITTEN PERMISSION OF DECTRON OR STROHMAIER CORPORATION IS STRICTLY PROHIBITED.



NOTES:
 1) EXTERNAL RETAINING CLIP INCLUDED IN PACKAGE TO SECURE ASSEMBLIES. EXTERNAL RETAINING RING PLIERS ARE REQUIRED BUT NOT INCLUDED.

DECTRON USA	
PART#	REV
70-0106-00	2
DESCRIPTION	
PIVOT MOUNTING PLATE	